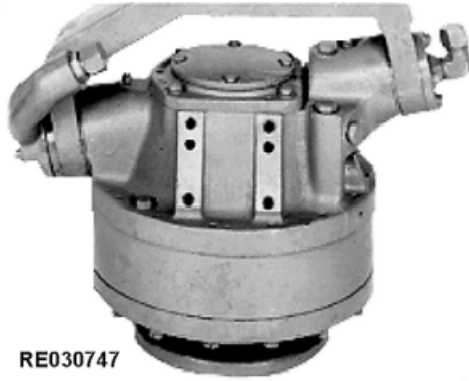


RE030747 -UN-13JUL99



RE030747

*STEERABLE CAM LOBE MOTOR*

RE030748 -UN-13JUL99



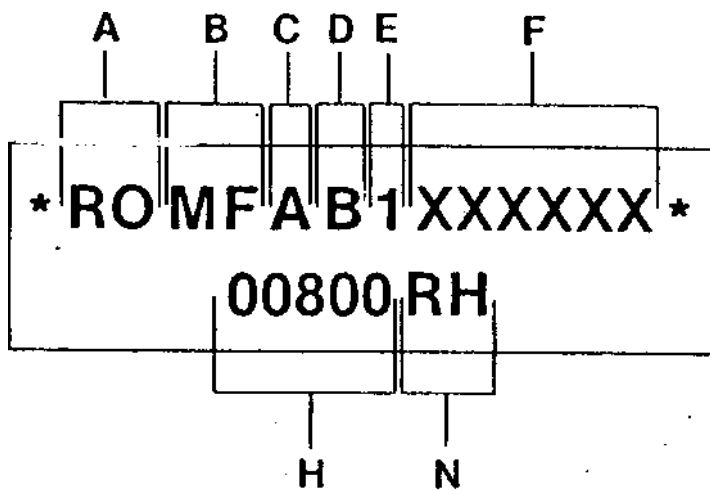
RE030748

*FIXED-MOUNT CAM LOBE MOTOR*

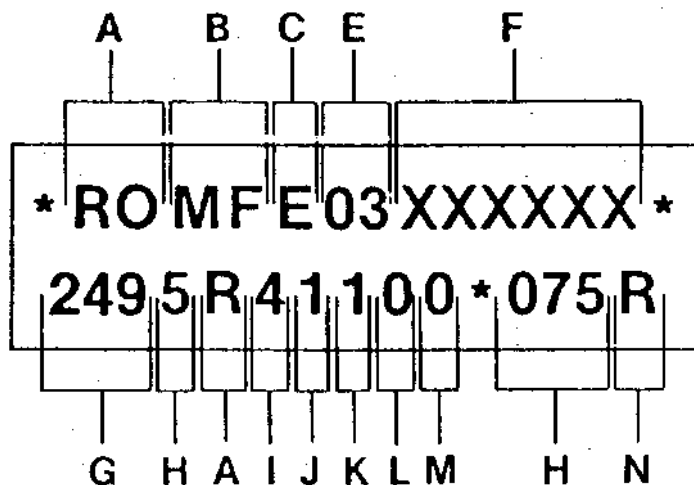
*(SPECIFICATIONS AND DESIGN SUBJECT TO CHANGE WITHOUT NOTICE)*

## CAM LOBE MOTOR SERIAL NUMBER PLATE

RXP7386 -UN-01JAN94



*(Early Design)*



*(Current Design)*

RXP7386

## CAM LOBE MOTOR SERIAL NUMBER PLATE - CONTINUED

A - PRODUCING FACTORY	H - DISPLACEMENT (PER REV.)	8 - FIXED PENTASTAR/COUNTER- CLOCKWISE ROTATION
B - TYPE	1 - 800 CM3 (49 IN.3)	**J - SHAFT
MF - MOTOR	2 - 1000 CM3 (61 IN.3)	1 - FLANGED
C - DISPLACEMENT (PER REV.)	3 - 1600 CM3 (98 IN.3)	**2 - SPLINED
A - 800 CM3 (49 IN.3)	4 - 2000 CM3 (122 IN. 3)	K - STEERING
B - 1000 CM3 (61 IN.3)	5 - 1200 CM3 (75 IN.3)	0 - NO STEERING ARM
C - 1600 CM3 (98 IN.3)	I - MOUNT	1 - STEERING ARM
D - 2000 CM3 (122 IN. 3)	1 - FIXED/CLOCKWISE ROTATION	L - BRAKE
E - 1200 CM3 (75 IN.3)	2 - FIXED/COUNTERCLOCK- WISE ROTATION	0 - NO BRAKE
D - USAGE	*3 - YOKE/CLOCKWISE ROTATION	1 - MECHANICAL BRAKE
A OR C - LEFT-HAND	**M - DESTROKE OPTION	***0 - NO DESTROKE
B OR D - RIGHT-HAND	*4 - YOKE/COUNTERCLOCK- WISE ROTATION	1 - DESTROKE
E - REVISION CODE	5 - KNEE/CLOCKWISE ROTATION	N - ROTATION
F - SERIAL NUMBER	6 - KNEE/COUNTERCLOCK- WISE ROTATION	R - CLOCKWISE
G - MASTER MACHINE CODE	7 - FIXED PENTASTAR/ CLOCKWISE ROTATION	L - COUNTERCLOCKWISE
248 - 50 SERIES (2 IN. AXLE)		
249 - 60 SERIES (3 IN. AXLE)		

THE MOTOR SERIAL NUMBER PLATE IS LOCATED ON THE INNER COVER. LIST THE ENTIRE TOP LINE OF THE SERIAL NUMBER PLATE IN ANY CORRESPONDENCE. SOME MOTORS, OF CURRENT DESIGN, MAY HAVE A PART NUMBER ON THE SECOND LINE OF THE SERIAL NUMBER PLATE RATHER THAN THE CODED INFORMATION SHOWN ABOVE.

MOTORS PRIOR TO SERIAL NUMBER -- 004400

\*I - MOUNT  
3 - YOKE/COUNTERCLOCKWISE ROTATION  
4 - YOKE/CLOCKWISE ROTATION

\*\*J - SHAFT  
2 - SPLINED (PENTASTAR MOUNT)

\*\*\*M - DESTROKE OPTION  
O - DESTROKE

## SECTION INDEX

GENERAL INFORMATION .....	5
STEERABLE COMPONENTS .....	10
FIXED-MOUNT COMPONENTS .....	20
DESTROKE PUMP, CHECK VALVE AND BRAKE COMPONENTS .....	30
INTERNAL MOTOR COMPONENTS .....	40
NUMERICAL INDEX .....	95

**Thanks very much for your reading,  
Want to get more information,  
Please click here, Then get the complete  
manual**

**JustClickHere** 

**NOTE:**

**If there is no response to click on the link above,  
please download the PDF document first, and then  
click on it.**

**Have any questions please write to me:  
[admin@servicemanualperfect.com](mailto:admin@servicemanualperfect.com)**

## ALPHABETICAL INDEX

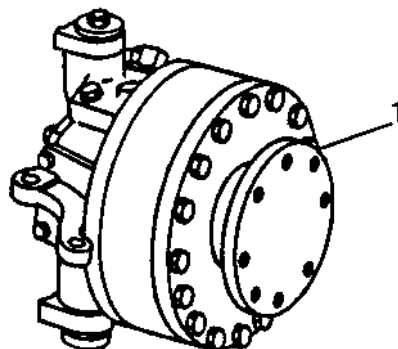
GRID		PAGE	GRID		PAGE
A					
A20	ADAPTER SHAFT .....	30-2	B1	SEALS, SHAFT, OUTER COVER, AND BEARING .....	40-4
A13	ARM, STEERING .....	10-6	A20	SHAFT, ADAPTER .....	30-2
B					
A24	BEARING AND COVER, QUILL (50 SERIES) .....	40-2	B1	SHAFT, OUTER COVER, BEARING, AND SEALS .....	40-4
B1	BEARING AND SEALS, SHAFT, OUTER COVER.....	40-4	A16	SHIFT VALVE.....	20-2
A23	BEARING, COVER, AND QUILL (60 SERIES).....	40-1	A8	STEERABLE CAM LOBE MOTOR .....	10-1
A16	BLOCK, PORTING .....	20-2	A13	STEERING ARM.....	10-6
A20	BRAKE HOUSING .....	30-2	A11	STEERING YOKE (50 SERIES) (60 SERIES) .....	10-4
A20	BRAKE, PARKING .....	30-2	A9	STEERING, YOKE (50 SERIES).....	10-2
C					
A8	CAM LOBE MOTOR, STEERABLE .....	10-1	V		
B3	CAM, CARRIER, AND PISTONS.....	40-6	A16	VALVE, SHIFT .....	20-2
B3	CARRIER, PISTONS, AND CAM.....	40-6	A19	VALVES, CHECK .....	30-1
A19	CHECK VALVES .....	30-1	Y		
A23	COVER, QUILL, AND BEARING (60 SERIES).....	40-1	A9	YOKE, STEERING (50 SERIES).....	10-2
A24	COVER, QUILL, BEARING AND (50 SERIES).....	40-2	A11	YOKE, STEERING (50 SERIES) (60 SERIES).....	10-4
D					
A19	DESTROKE PUMP.....	30-1			
F					
A15	FIXED-MOUNT CAM LOBE MOTOR .....	20-1			
I					
B6	INNER COVER.....	40-10			
M					
B5	MANIFOLD .....	40-8			
A15	MOTOR, FIXED-MOUNT CAM LOBE .....	20-1			
O					
B1	OUTER COVER, BEARING AND SEALS, SHAFT.....	40-4			
P					
A20	PARKING BRAKE.....	30-2			
B3	PISTONS, CAM, AND CARRIER.....	40-6			
A16	PORTING BLOCK.....	20-2			
A19	PUMP, DESTROKE .....	30-1			
Q					
A24	QUILL, BEARING AND COVER (50 SERIES) .....	40-2			
A23	QUILL, BEARING, AND COVER (60 SERIES).....	40-1			

---

MEMORANDA

**STEERABLE CAM LOBE MOTOR**

RXP022119 -UN-21APR97



**RXP022119**

KEY	PART NO.	PART NAME	QTY	MOTOR SERIAL NO.	REMARKS
1	RE18718	MOTOR	1	(A) R.H. (2481R31101) (50 SERIES) (SUB FOR AR91826)	
	RE18719	MOTOR	1	(A) L.H. (2481R41101) (50 SERIES) (SUB FOR AR91827)	
	RE18720	MOTOR	1	(B) R.H. (2482R31101) (50 SERIES) (SUB FOR AR91828)	
	RE18721	MOTOR	1	(B) L.H. (2482R41101) (50 SERIES) (SUB FOR AR91829)	
	RE18724	MOTOR	1	(C) R.H. (2483R31101) (50 SERIES) (SUB FOR AR91832)	
	RE18725	MOTOR	1	(C) L.H. (2483R41101) (50 SERIES) (SUB FOR AR91833)	
	RE33336	MOTOR	1	(D) R.H. (2495R31100) (60 SERIES)	
	RE33337	MOTOR	1	(D) L.H. (2495R41100) (60 SERIES)	
	RE53594	MOTOR	1	(C) R.H. (2485R31001) (50 SERIES)	
	RE53595	MOTOR	1	(C) L.H. (2485R41001) (50 SERIES)	
	RE33338	MOTOR	1	(C) R.H. (2493R31100) (60 SERIES)	
	RE33339	MOTOR	1	(C) L.H. (2493R41100) (60 SERIES)	
	RE67484	MOTOR	1	(D) (E) R.H. (60 SERIES)	
	RE67485	MOTOR	1	(D) (E) L.H. (60 SERIES)	
	RE67486	MOTOR	1	(C) (E) R.H. (60 SERIES)	
	RE67487	MOTOR	1	(C) (E) L.H. (60 SERIES)	

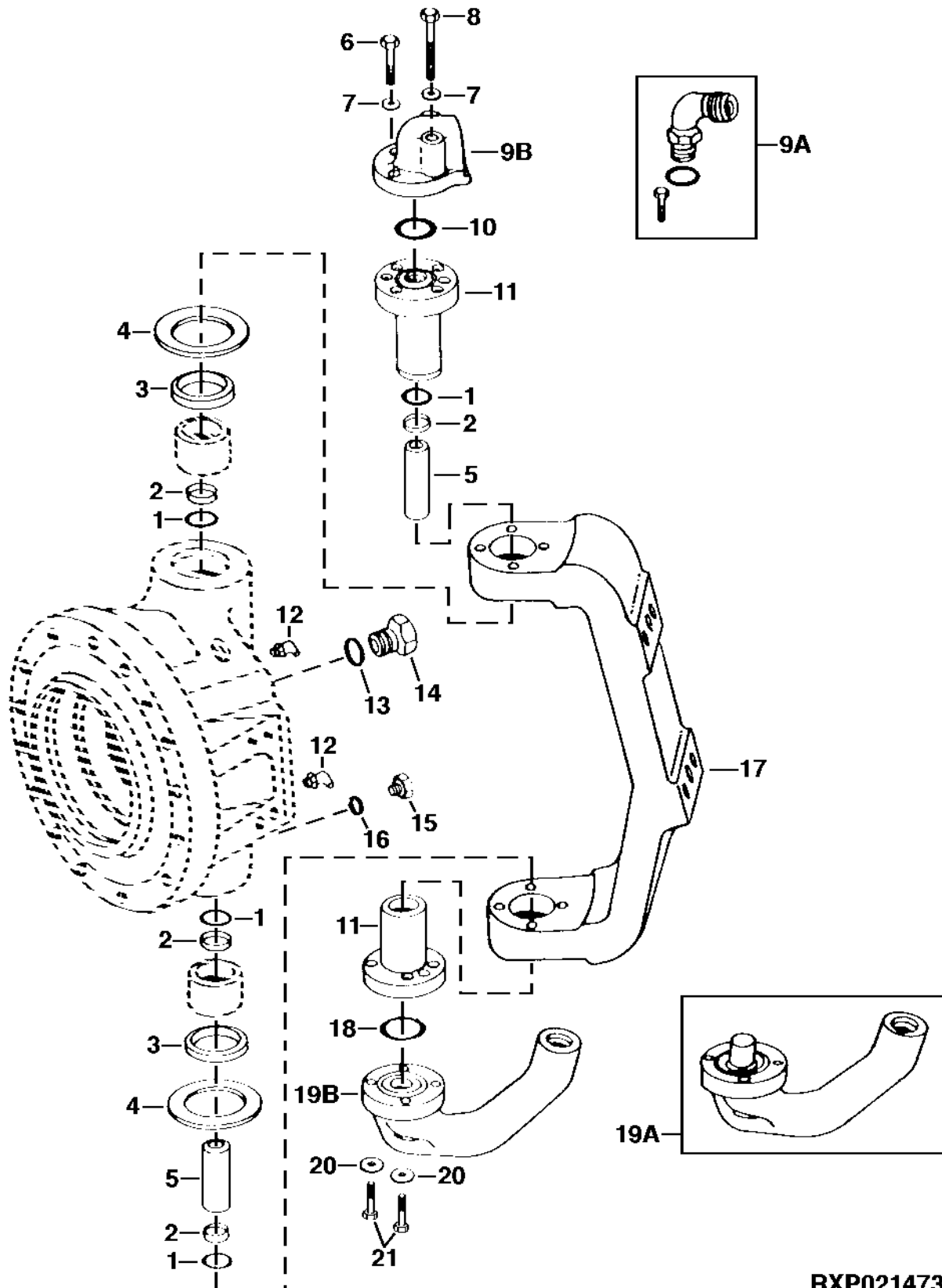
- (A) 800CC
- (B) 1000CC
- (C) 1600CC
- (D) 1200CC
- (E) USE ON COMBINES ONLY



# A9

STEERABLE COMPONENTS

YOKE, PIVOTS AND CAP  
(50 SERIES)(EARLY DESIGN)  
(STEERABLE)  
RXP021473 -UN-07MAR96



RXP021473

# A10

## STEERABLE COMPONENTS

### YOKE, PIVOTS AND CAP - CONTINUED (50 SERIES)(EARLY DESIGN) (STEERABLE)

KEY	PART NO.	PART NAME	QTY	MOTOR SERIAL NO.	5 0	6 0	REMARKS
1	U11647	O-RING	4		X		
2	R73102	WASHER	4		X		
3	AR86539	SEAL	2		X		
4	R60239	THRUST WASHER	2		X		
5	R60424	BUSHING	2	-XXXXXX	X		(A) (USE WITH AR101841 OR AR101842)
	R80973	BUSHING	1	XXXXXX-XXXXXX	X		(B) (USE WITH R80971 OR R80972)
6	19H3267	CAP SCREW	2		X		3/8" X 1-5/8"
7	R69536	WASHER	4		X		
8	19H2855	CAP SCREW	2		X		3/8" X 3-1/4"
9A	AT32331	ELBOW FITTING	1	-XXXXXX	X		(A) 90°
	U12547	O-RING	1	-XXXXXX	X		(A)
	19H3219	CAP SCREW	4	-XXXXXX	X		(A) 3/8" X 1-3/8"
9B	R80972	CAP	1	XXXXXX-XXXXXX	X		(B)
10	U46335	O-RING	1	-XXXXXX	X		(A)
11	R71966	SLEEVE	2	-XXXXXX	X		(A)
	R80974	PIN	2	XXXXXX-XXXXXX	X		(B)
12	JD7847	LUBRICATION FITTING	2		X		45° X 1" LONG
13	R26375	O-RING	1		X		
14	R39112	FITTING	1		X		
15	R27218	FITTING PLUG	1		X		
16	R26448	O-RING	1		X		
17	R69610	YOKE	1		X		(SUB R89015)
18	U46335	O-RING	1	-XXXXXX	X		(A)
19A	AR101841	CAP	1	-XXXXXX	X		(A) R.H. (SUB R80971 AND R80973)
	AR101842	CAP	1	-XXXXXX	X		(A) L.H. (SUB R80975 AND R80973)
19B	R80971	CAP	1	XXXXXX-XXXXXX	X		(B) R.H.
	R80975	CAP	1	XXXXXX-XXXXXX	X		(B) L.H.
20	R69536	WASHER	4		X		
21	19H3267	CAP SCREW	2		X		3/8" X 1-5/8"
22	19H3031	CAP SCREW	2		X		3/8" X 2-1/2"

(A)( -XXXXXX) 800 R.H.-005159;800 L.H.-005171;1000 R.H.-003174;1000 L.H.-003178;1600

R.H.-002275;1600 L.H.-002276

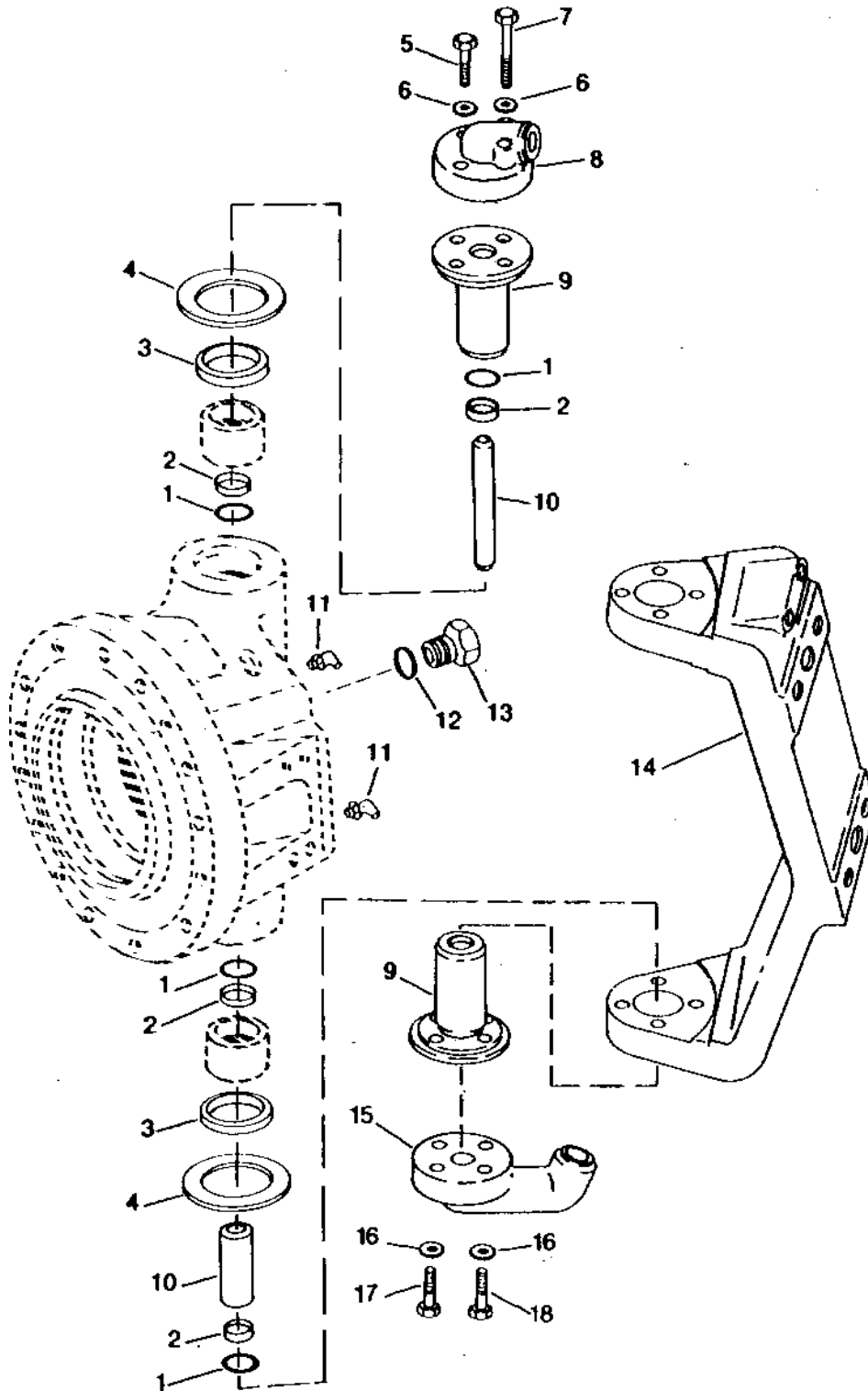
(B)(XXXXXX-XXXXXX) 800 R.H.-005160-XXXXXX;800 L.H.-005172-XXXXXX;1000 R.H.-003175-XXXXXX;1000

L.H.-003179-XXXXXX;1600 R.H.-002276-XXXXXX;1600 L.H.-002277-XXXXXX

# A11

STEERABLE COMPONENTS

YOKE, PIVOTS AND CAPS  
(50 SERIES CURRENT DESIGN AND 60 SERIES)  
(STEERABLE)  
RXP7667 -UN-01JAN94



RXP7667

# A12

STEERABLE COMPONENTS

YOKE, PIVOTS AND CAPS - CONTINUED  
(50 SERIES CURRENT DESIGN AND 60 SERIES)  
(STEERABLE)

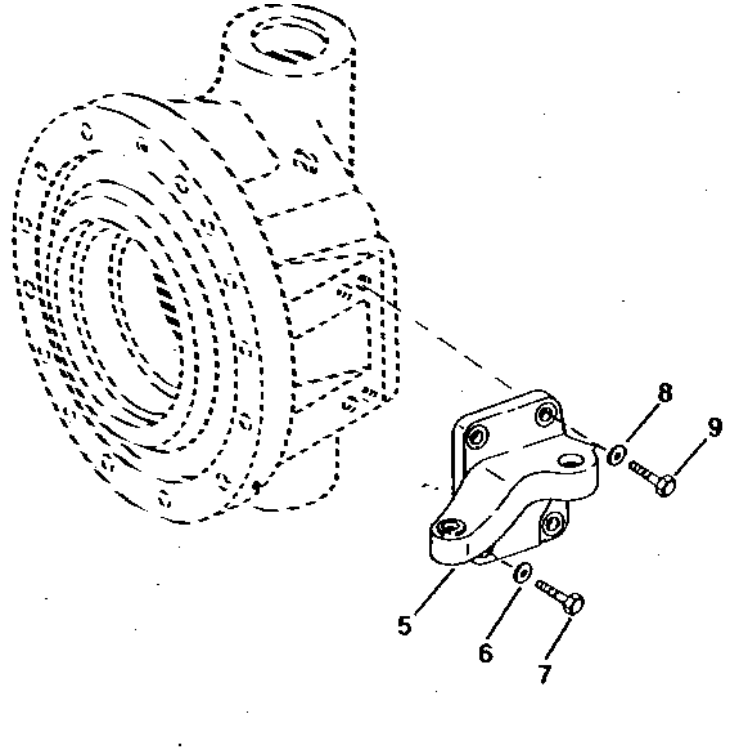
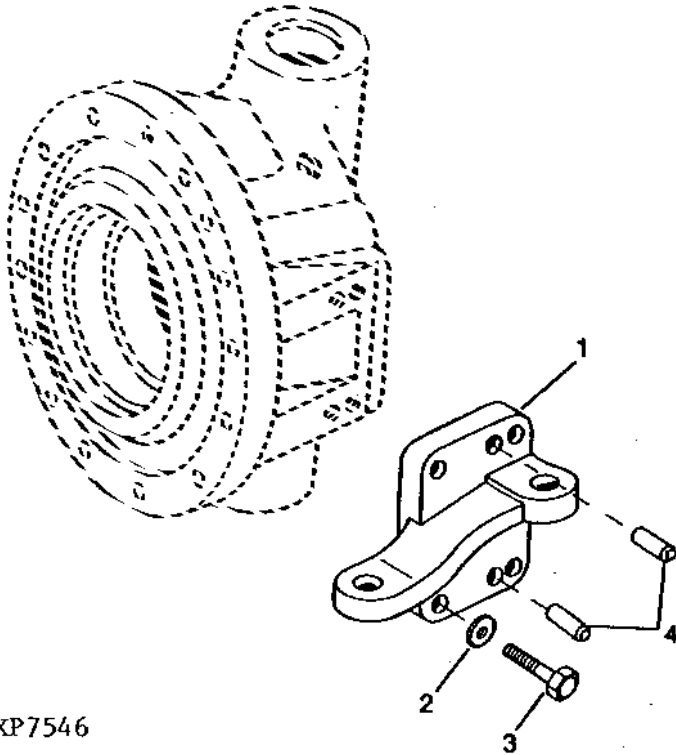
KEY	PART NO.	PART NAME	QTY	SERIAL NO.	5	6	REMARKS
					0	0	
1	U11647	O-RING	4		X	X	
2	R73102	WASHER	4		X	X	
3	AR86539	SEAL	2		X	X	
4	R60239	THRUST WASHER	2		X	X	
5	19H3267	CAP SCREW	2		X	X	3/8" X 1-5/8"
6	R69536	WASHER	4		X	X	
7	19H2855	CAP SCREW	2		X	X	3/8" X 3-1/4"
8	R85374	CAP	1		X	X	
9	R85376	PIN	2		X	X	
10	R85378	TUBE	2		X	X	
11	JD7847	LUBRICATION FITTING	2		X	X	65° X 0.840" LONG
12	R26375	O-RING	1		X	X	
13	R39112	FITTING	1		X	X	
14	R89015	YOKE	1		X	X	
15	R85373	CAP	1		X	X	
16	R69536	WASHER	4		X	X	
17	19H3267	CAP SCREW	2		X	X	3/8" X 1-5/8"
18	19H3031	CAP SCREW	2		X	X	3/8" X 2-1/2"

# A13

STEERABLE COMPONENTS

**STEERING ARMS  
(50 AND 60 SERIES)  
(STEERABLE)**

RXP7546 -UN-01JAN94



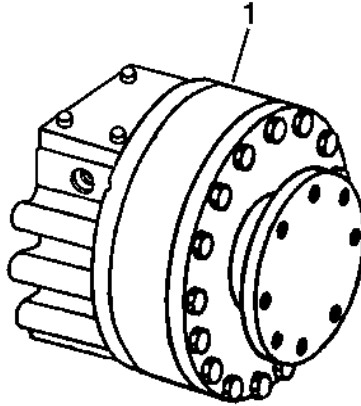
RXP7546

KEY	PART NO.	PART NAME	QTY	MOTOR SERIAL NO.	5 0	6 0	REMARKS
1	R70159	STEERING ARM	1		X		(L.H.)
	R70158	STEERING ARM	1		X		(R.H.)
2	R32214	WASHER	8		X		
3	19H2993	CAP SCREW	8		X		1/2" X 1-1/2"
4	R36224	DOWEL PIN	4		X		
5	R92977	STEERING ARM	1			X	(L.H.)
	R92978	STEERING ARM	1			X	(R.H.)
	R129599	STEERING ARM	2			X	(A) (ALSO ORDER (2) R32214, (2) 12H294, (2) 19H2710 AND (2) 19H2898)
6	R32214	WASHER	4			X	
7	19H2993	CAP SCREW	4			X	1/2" X 1-1/2"
8	U41353	WASHER	4			X	
9	19H2710	CAP SCREW	4			X	5/8" X 1-3/4"

(A) USE ON COMBINES ONLY

# A15

**FIXED-MOUNT CAM LOBE MOTOR**  
RXP022106 -UN-17APR97



**RXP022106**

KEY	PART NO.	PART NAME	QTY	MOTOR SERIAL NO.	REMARKS
1	RE53581	MOTOR	1	(A) R.H. (2482R11010) (50 SERIES)	
	RE53583	MOTOR	1	(A) L.H. (2482R21010) (50 SERIES)	
	RE53584	MOTOR	1	(A) L.H. (2482R82000) (50 SERIES)	
	RE53592	MOTOR	1	(B) R.H. (2485R11010) (50 SERIES)	
	RE53593	MOTOR	1	(B) L.H. (2485R21010) (50 SERIES)	
	RE53585	MOTOR	1	(C) R.H. (2483R11010) (50 SERIES)	
	RE53586	MOTOR	1	(C) L.H. (2483R21010) (50 SERIES)	
	RE53587	MOTOR	1	(C) L.H. (2483R21000) (50 SERIES)	
	RE70476	MOTOR	1	(C) R.H. (2483R11000) (50 SERIES)	
	RE53588	MOTOR	1	(D) R.H. (2484R11000) (50 SERIES)	
	RE53589	MOTOR	1	(D) L.H. (2484R21000) (50 SERIES)	
	RE53590	MOTOR	1	(D) R.H. (2484R11010) (50 SERIES)	
	RE53591	MOTOR	1	(D) L.H. (2484R21010) (50 SERIES)	
	RE53596	MOTOR	1	(C) R.H. (2493R11000) (60 SERIES)	
	RE53597	MOTOR	1	(C) L.H. (2493R21000) (60 SERIES)	

- (A) 1000CC
- (B) 1200CC
- (C) 1600CC
- (D) 2000CC

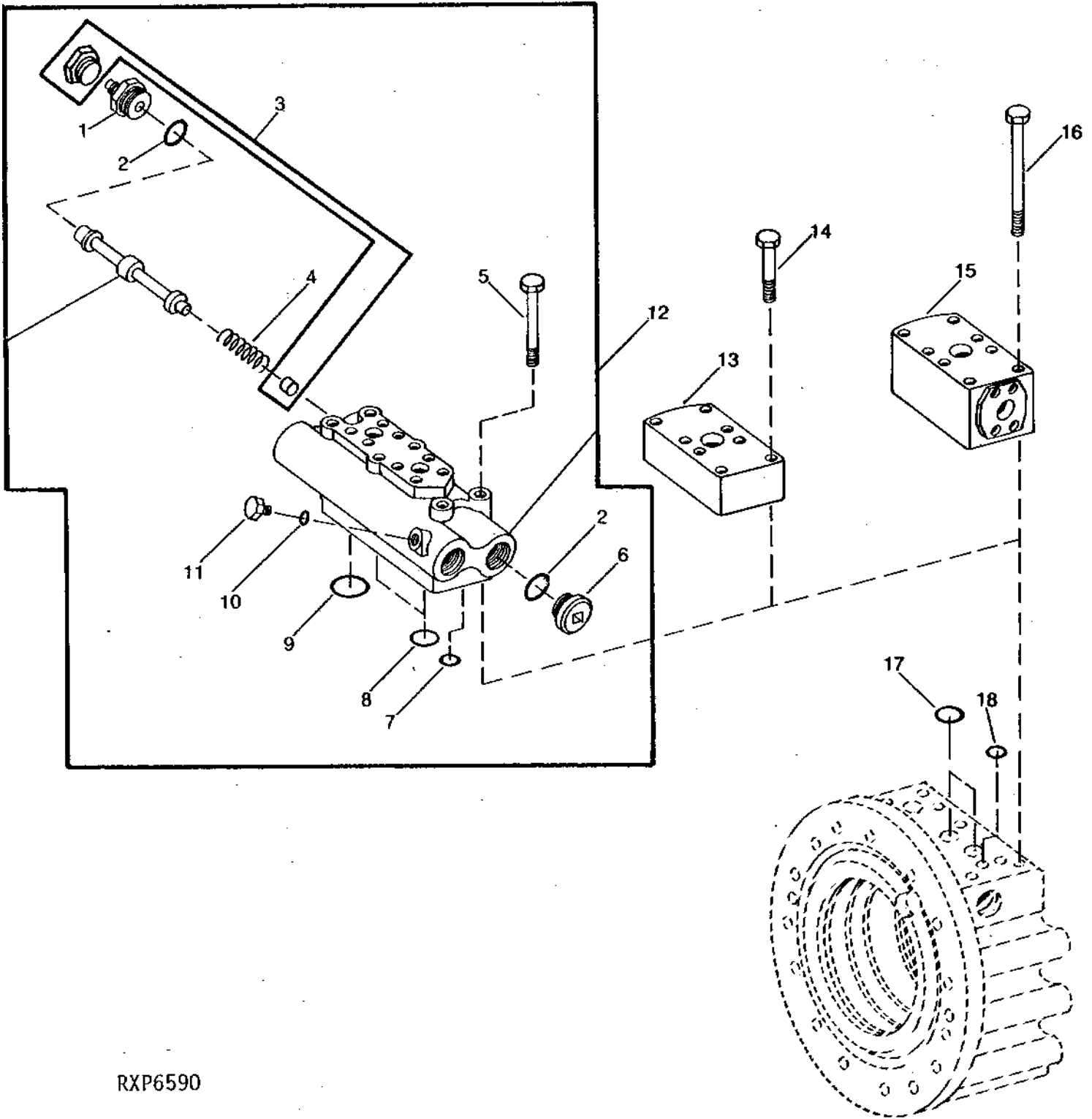
# A16

FIXED-MOUNT COMPONENTS

## PORTING BLOCK AND SHIFT VALVE(50 AND 60 SERIES)

(FIXED-MOUNT)

RXP6590 -UN-01JAN94



RXP6590

# A17

**PORTING BLOCK AND SHIFT VALVE(50 AND 60 SERIES) - CONTINUED  
(FIXED-MOUNT)**

KEY	PART NO.	PART NAME	QTY	MOTOR SERIAL NO.	3 1		REMARKS
					S S	P P	
					D D		
1	T48176	ADAPTER	2		X		
2	R29936	O-RING	4		X		
3	RE33448	KIT	1				(A) (INCLUDES (1) T21806 PLUG AND (1) R93665 SPACER)
4	R38185	SPRING	2		X		
5	19H2345	CAP SCREW	6		X		3/8" X 5-1/2"
6	T54072	DRAIN PLUG	2		X		
7	R394R	O-RING	1		X		
8	A4730R	O-RING	2		X		
9	U12037	O-RING	1		X		
10	R28782	O-RING	1		X		
11	R51031	FITTING	1		X		
12	RE27011	KIT	1		X		(NLA)
13	R80171	JUNCTION BLOCK	1			X	
14	19H3031	CAP SCREW	4			X	3/8" X 2-1/2"
15	R80067	JUNCTION BLOCK	1			X	
16	19H3175	CAP SCREW	4			X	
17	R56461	O-RING	2			X X	
18	R394R	O-RING	1			X X	

(A) CONVERT RE27011 SHIFT VALVE FROM 3 DISPLACEMENT TO 2 DISPLACEMENT AT REQUEST OF MARKETING

THE KIT WILL BE SOLD DIRECTLY TO THE OEM CUSTOMER AND INSTALLED BY THE CUSTOMER.



MEMORANDA

THIS PARTS LISTING IS CONTINUED

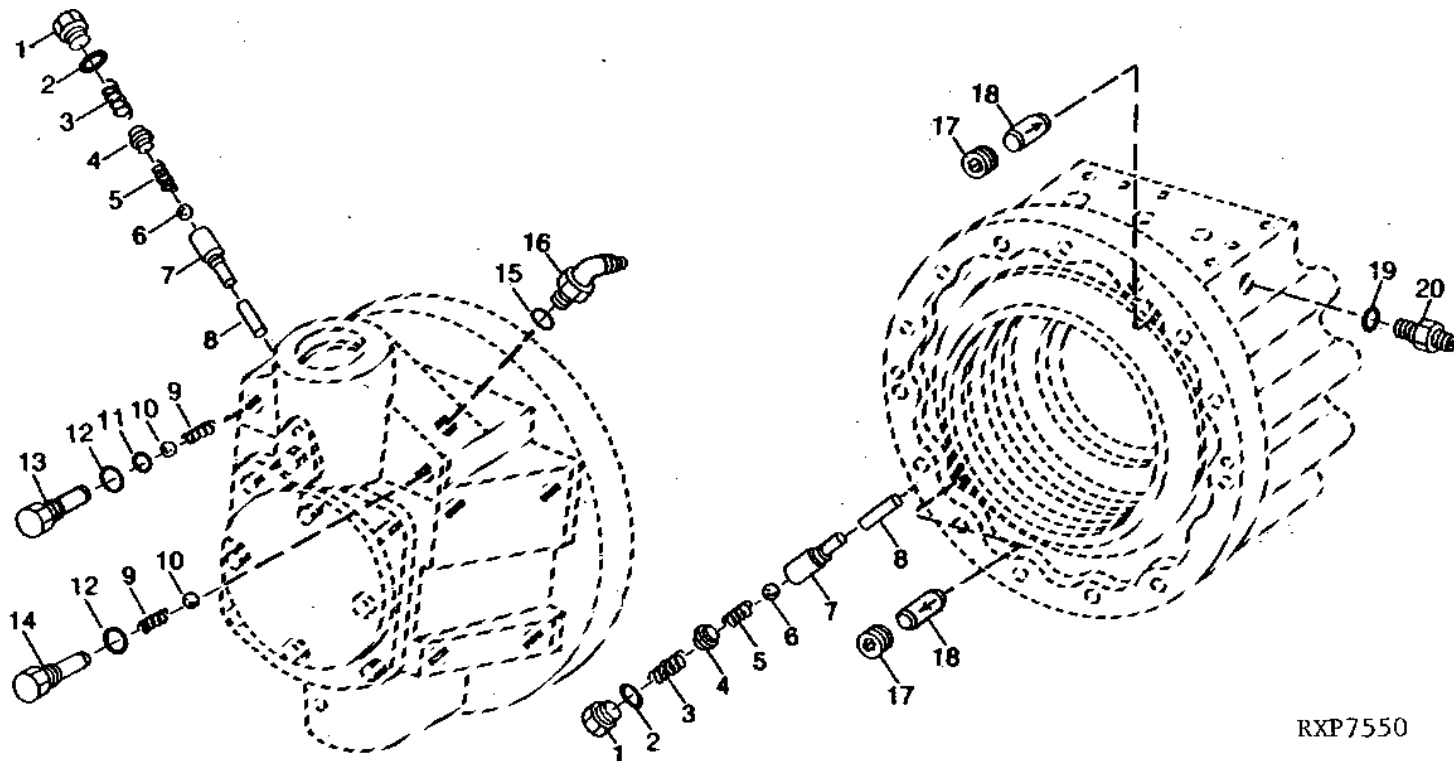
# A19

DESTROKE PUMP, CHECK VALVE AND BRAKE COMPONENTS

## DESTROKE PUMP AND CHECK VALVES(50 SERIES)

(STEERABLE AND FIXED-MOUNT)

RXP7550 -UN-01JAN94



RXP7550

KEY	PART NO.	PART NAME	QTY	MOTOR SERIAL NO.	5 0	6 0	REMARKS
1	R39112	FITTING	1		X		
2	R26375	O-RING	1		X		
3	R26908	SPRING	1		X		
4	R69989	RETAINER	1		X		
5	R55789	SPRING	1		X		
6	R84979	BALL	1		X		(SUB FOR R42849)
7	R69961	PISTON	1		X		
8	R44394	NEEDLE ROLLER	1		X		
9	R21723	SPRING	2		X		
10	R84979	BALL	2		X		
11	R28782	O-RING	1		X		
12	R26375	O-RING	2		X		
13	R69652	PLUG	1		X		
14	R69652	PLUG	1	-XXXXXX	X		(A)
	R36943	FITTING	1	XXXXXX-	X		
15	R26375	O-RING	1		X		
16	AT32332	ELBOW FITTING	1		X		(SUB FOR AR26763)
17	R100776	RETAINER	2		X		(APPLY HIGH STRENGTH LOCK SEALER TY9371)
18	AA26092	CHECK VALVE	2		X		
19	R26375	O-RING	1		X		
20	R27237	FITTING	1		X		

(A) FOR STEERABLE INNER COVER WITH TWO FINISHED MACHINED AREAS FOR STEERING ARMS

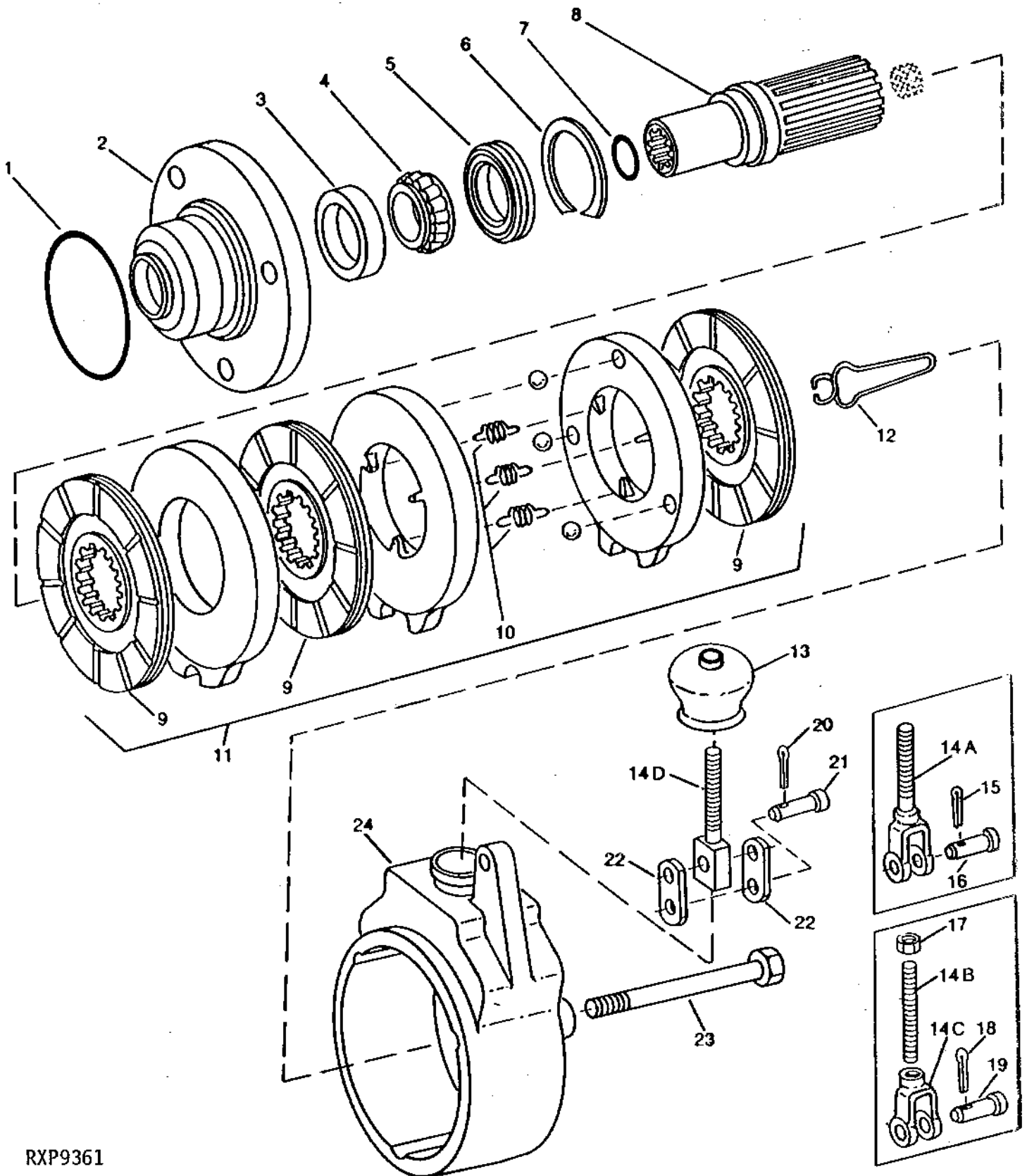
# A20

DESTROKE PUMP, CHECK VALVE AND BRAKE COMPONENTS

PARKING BRAKE(50 SERIES)

(FIXED-MOUNT)

RXP9361 -UN-01JAN94



RXP9361

# A21

## DESTROKE PUMP, CHECK VALVE AND BRAKE COMPONENTS

### PARKING BRAKE(50 SERIES) - CONTINUED (FIXED-MOUNT)

KEY	PART NO.	PART NAME	QTY	SERIAL NO.	5	6	REMARKS
					0	0	
1	R82783	O-RING	1		X		
2	R82673	BEARING HOUSING W/O BEARING	1		X		
3	JD9146	BEARING CUP	1		X		
4	JD9091	BEARING CONE	1		X		
5	RE22090	SEAL	1		X		
6	R64244	SNAP RING	1		X		
7	R82784	O-RING	1		X		
8	R82672	ADAPTER	1		X		
9	R82733	BRAKE DISK	3		X		
10	R82752	EXTENSION SPRING	3		X		
11	RE22029	BRAKE DISK	1		X		(BRAKE ASSEMBLY)
12	R82782	SPRING	1		X		
13	L31055	BOOT	1		X		
14A	RE21941	CLEVIS	1		X		(SUB R113432, (2) R113484, (2) N123358 AND (2) 11M7015)
14B	R111154	STUD	1		X		(SUB R113432, (2) R113484, (2) N123358 AND (2) 11M7015)
14C	R111155	YOKE	1		X		(SUB R113432, (2) R113484, (2) N123358 AND (2) 11M7015)
14D	R113432	ROD	1		X		(SUB FOR RE21941, R111154 OR R111155)
15	11M7015	COTTER PIN	1		X		3.200 X 25 MM
16	A26927	PIN	1		X		
17	14H849	NUT	1		X		7/16"
18	11M7015	COTTER PIN	1		X		3.200 X 25 MM
19	A26927	PIN	1		X		
20	11M7015	COTTER PIN	2		X		3.200 X 25 MM
21	R113484	PIN	2		X		
22	N123358	STRAP	2		X		
23	08H1486	CAP SCREW	3		X		(SUB FOR R45351)
24	R82637	HOUSING	1		X		